

Asian Cooking - Induction Wok Range

Induction - Wok Euro Line

NEWI 7-75



Due to continuous technical development, the image shown may not represent the latest design of the unit.

DESCRIPTION

Induction wok with one glass-ceramic wok bowl Ø 300 mm. Powered by a high-efficient, energy-saving induction coil of 5 kW. Compact design with a depth of 750 mm. This wok is the perfect solution for cooking authentically Asian dishes where gas appliances are restricted.

The control unit with digital display and easy to use rotary knob to adjust the power (nine levels) or select the timer function (1 to 99 min), permits rapid heating and immediate operability. The impact-resistant wok bowl made of glass-ceramic with the stainless steel top surrounding is withstanding hard knocks in daily use.

The slanted, 3.2 mm strong reinforced top panel, the cold-water supply with one swivel faucet mounted on the backsplash together with the drainage channel in the back, guarantee maximum hygiene and enables an easy and time-saving cleaning of the top panel.

OTHER AVAILABLE MODELS

- NEWI 14-75

MAIN FEATURES

- One impact-resistant glass-ceramic wok bowl Ø 300 mm.
- One high-efficient, energy saving induction coil with 5 kW connected load.
- Nine level power adjustment with rotary control knobs.
- LED display to indicate the operation modes and the selected power level or the remaining minutes when the timer function is activated.
- Slanted, reinforced top panel.
- Cold-water supply with one swivel faucet mounted on the backsplash.
- Drain channel with removable strainer in the back for easy operation and maximum hygiene.
- CE certified unit.

CONSTRUCTION

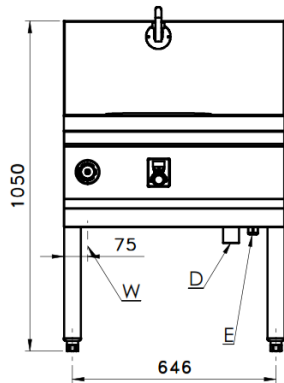
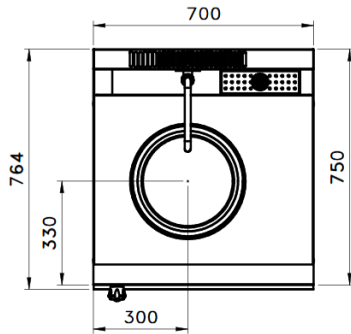
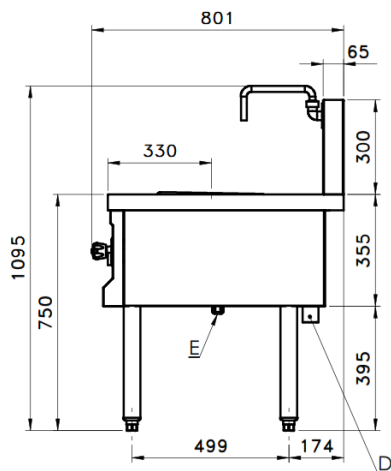
- Sturdy frame made of stainless steel AISI 430.
- Slanted, reinforced stainless steel top panel (3.2 mm), AISI 304 with orbital surface pattern.
- Front and back panels (0.8 mm), side panels (1.2 mm) made of stainless steel AISI 304 with hairline surface pattern.
- Backsplash made of stainless steel AISI 304 with hairline surface pattern (1.2 mm).
- Tubular, height adjustable (± 25 mm) stainless steel legs.
- Types of installations: free standing.
- Frame, top and panels, all made of high-grade stainless steel.

INCLUDED ACCESSORIES

- Wok pan Ø 400 mm, stainless steel AISI 409 (1 pc)

OPTIONAL ACCESSORIES

- Power cable type: H07RN-F (5 x 2.5 mm²).

FRONT**TOP****SIDE**

*Overall dimension in mm

TECHNICAL DATA**External Dimensions**

Width	: 700 mm
Depth	: 750 mm
Height	: 750/1050 mm

Cooking Surface

Wok hobs	: Ø 300 mm
Heating zones	: 1 x 5 kW
Control type	: Modulating power control

Electrical Supply Data

Total connected load	: 5 kW
Voltage	: 400V, 3NPE AC /50-60Hz
Recommended fuse	: 16 A (slow)

Connections

Water	: DN15 (1/2")
Drain	: DN32 (1 1/4")

Heat & Steam Emissions

Direct heat emission	: 0.35 kW
Latent heat emission	: 0.14 kW
Steam emission	: 0.2 kg/h

PACKAGING DATA

Width	: 780 mm
Depth	: 780 mm
Height	: 1170 mm
Volume	: 0.71 m ³

WEIGHT

Net Weight	: 41 kg
Gross Weight	: 62 kg